



Modular Cooking Range Line 700XP Two Wells Gas Fryer Top 7 liter

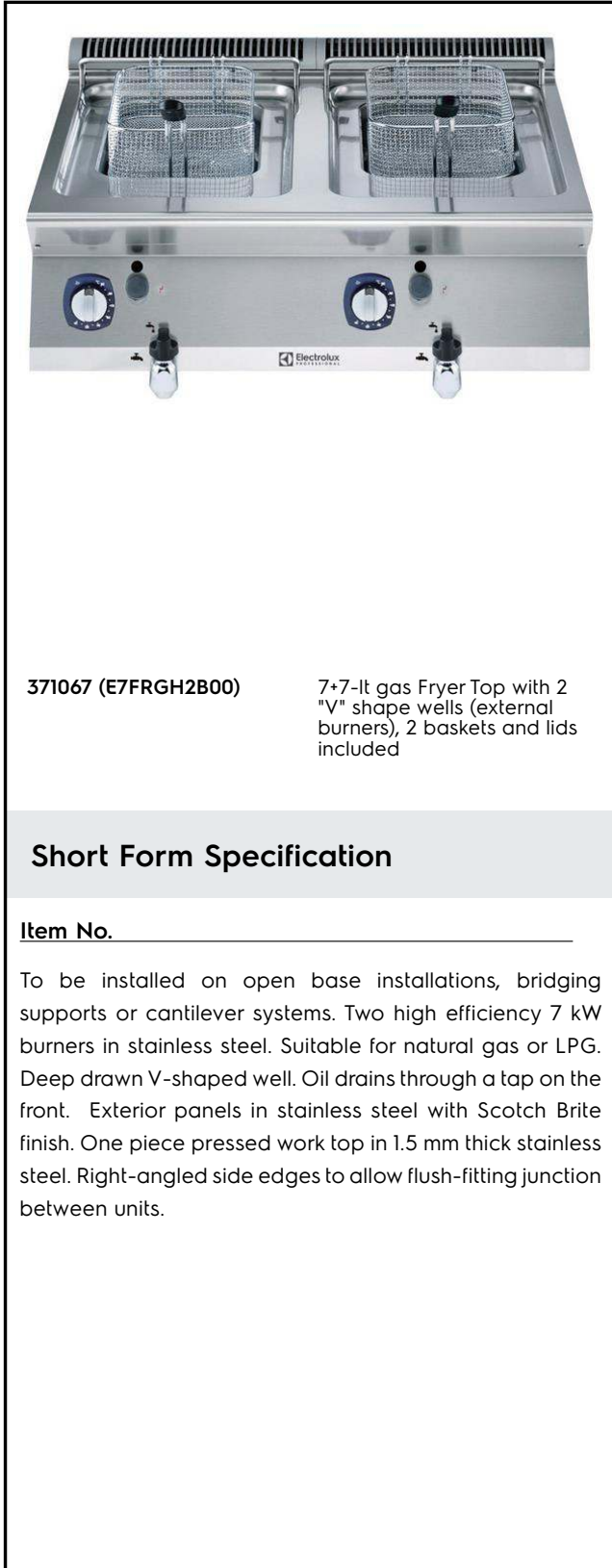
ITEM # _____

MODEL # _____

NAME # _____

SIS # _____

AIA # _____



371067 (E7FRGH2B00)

7+7-lt gas Fryer Top with 2 "V" shape wells (external burners), 2 baskets and lids included

Short Form Specification

Item No. _____

To be installed on open base installations, bridging supports or cantilever systems. Two high efficiency 7 kW burners in stainless steel. Suitable for natural gas or LPG. Deep drawn V-shaped well. Oil drains through a tap on the front. Exterior panels in stainless steel with Scotch Brite finish. One piece pressed work top in 1.5 mm thick stainless steel. Right-angled side edges to allow flush-fitting junction between units.

Main Features

- Unit to be mounted on open base cupboards, bridging supports or cantilever systems.
- Deep drawn V-Shaped wells.
- Interior of wells with rounded corners for ease of cleaning.
- Two high efficiency 7 kW burners in stainless steel with flame failure device attached to the outside of the wells.
- Thermostatic regulation of oil temperature up to a maximum of 185 °C.
- Flame failure device on each burner.
- Overheat protection thermostat as standard on all units.
- Oil drains through a tap positioned on the front the wells.
- All major compartments located in front of unit for ease of maintenance.
- Piezo spark ignition for added safety.
- Gas appliance supplied for use with natural or LPG gas, conversion jets supplied as standard.
- IPx4 water protection.
- Optional portable oil quality monitoring tool (code 9B8081) for efficient oil management.
- Suitable for countertop installation.

Construction

- All exterior panels in Stainless Steel with Scotch Brite finishing.
- One piece pressed 1.5 mm work top in Stainless steel.
- Model has right-angled side edges to allow flush fitting joints between units, eliminating gaps and possible dirt traps.

Sustainability



- This model is compliant with Swiss Energy Efficiency Ordinance (730.02).

Included Accessories

- 2 of Basket for 7lt top and free standing fryers PNC 921608

Optional Accessories

- Junction sealing kit PNC 206086
- Draught diverter, 150 mm diameter PNC 206132
- Matching ring for flue condenser, 150 mm diameter PNC 206133
- Support for bridge type installation, 800mm PNC 206137
- Support for bridge type installation, 1000mm PNC 206138
- Support for bridge type installation, 1200mm PNC 206139
- Support for bridge type installation, 1400mm PNC 206140
- Support for bridge type installation, 1600mm PNC 206141

APPROVAL: _____



Experience the Excellence
www.electroluxprofessional.com



Electrolux
PROFESSIONAL

Modular Cooking Range Line 700XP Two Wells Gas Fryer Top 7 liter

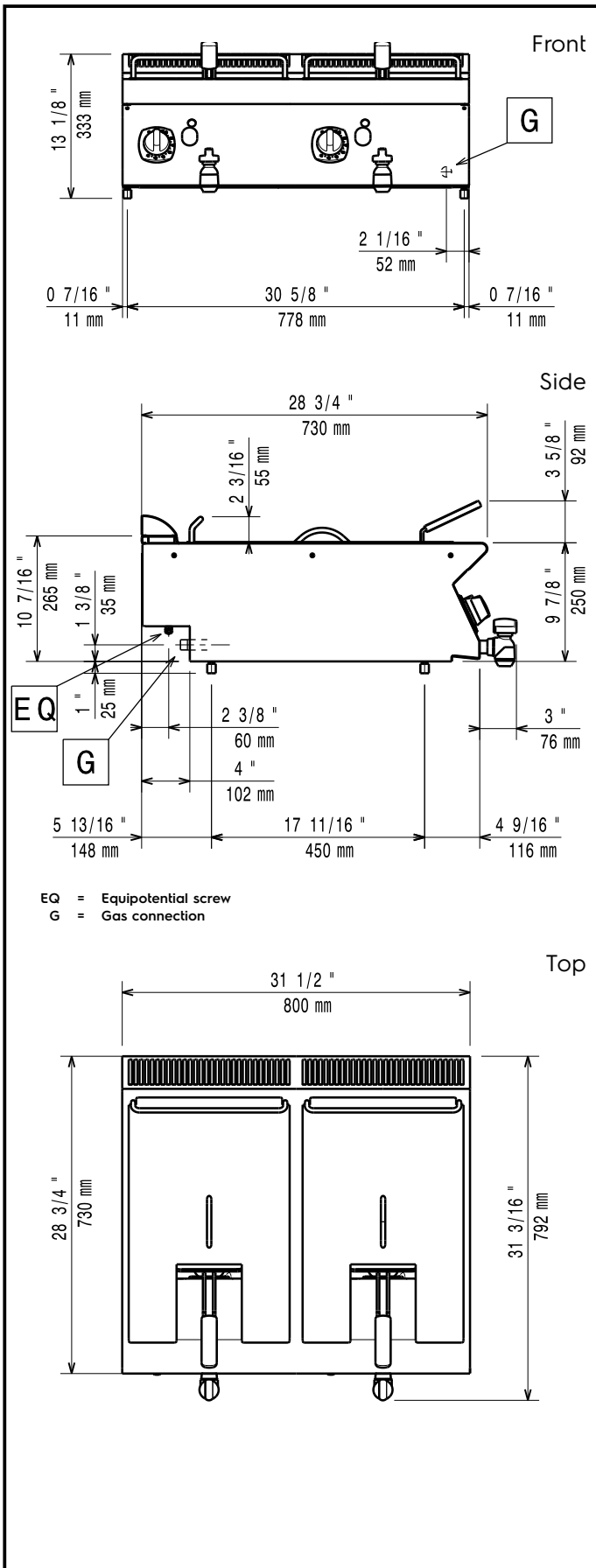
- Flue condenser for 1 module, 150 mm diameter PNC 206246
- Chimney upstand, 800mm PNC 206304
- Right and left side handrails PNC 206307
- Back handrail 800 mm PNC 206308
- Chimney grid net, 400mm (700XP/900) PNC 206400
- Kit G.25.3 (Ni) gas nozzles for 900 fryers PNC 206467
- 2 side covering panels for top appliances PNC 216277
- Basket for 7lt top and free standing fryers PNC 921608
- Pressure regulator for gas units PNC 927225
- 2 baskets for 2x5lt and 7lt electric fryers PNC 960638



Modular Cooking Range Line
700XP Two Wells Gas Fryer Top 7 liter

The company reserves the right to make modifications to the products without prior notice. All information correct at time of printing.

2024.04.15



Gas

Gas Power:	371067 (E7FRGH2B00)	14 kW
Standard gas delivery:		Natural Gas G20 (20mbar)
Gas Type Option:		LPG; Natural Gas
Working pressure, mBar (min/Max):		0 / 0
Gas Inlet:		1/2"

Key Information:

Usable well dimensions (width):	240 mm
Usable well dimensions (height):	235 mm
Usable well dimensions (depth):	380 mm
Well capacity:	5.5 lt MIN; 7 lt MAX
Thermostat Range:	105 °C MIN; 185 °C MAX
Net weight:	47 kg
Shipping weight:	54 kg
Shipping height:	540 mm
Shipping width:	820 mm
Shipping depth:	860 mm
Shipping volume:	0.38 m ³

If appliance is set up or next to or against temperature sensitive furniture or similar, a safety gap of approximately 150 mm should be maintained or some form of heat insulation fitted.

Certification group: N7FG